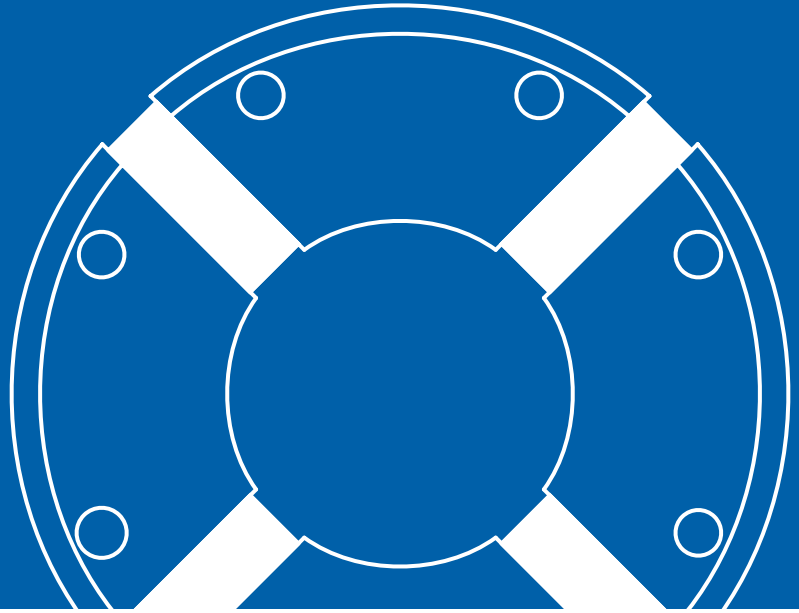
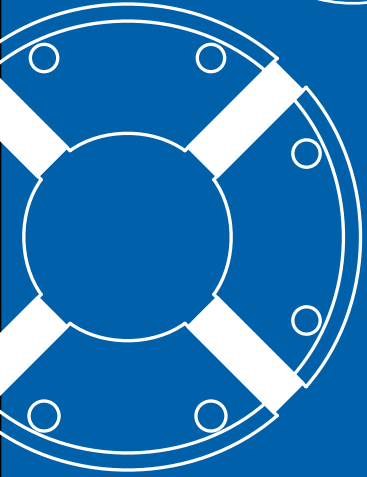
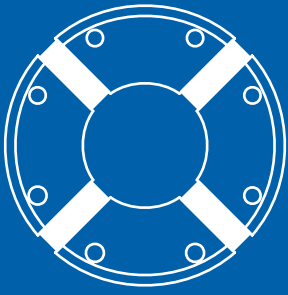


# FORKARDT



OmniGrip Quick-Change Collet Systems for CNC Lathes



# OmniGrip

Collet changeover in less than **10 Seconds.**

Compare to your current changeover:

Standard Collet Chuck: 79 seconds

Chuck Jaws (3): 191 seconds

## Gripping Range $\pm .020"$

A typical OmniGrip collet head has a gripping range of  $\pm .020"$  (.5mm) above and below its nominal size to allow variation in bar stock without having to change out the collet.

## Productivity Replacement for 3-jaw Chucks

When compared to a jaw chuck, the reduction in weight and the efficient design of the OmniGrip Collet System allow you to increase the spindle rpm without concern for centrifugal forces. Advanced cutting tools, along with faster speeds and feeds, can now be used to boost your productivity. The interferences associated with jaw chucks are nonexistent with the clean contours of the OmniGrip Collet System.



## Accuracy up to $.0004"$ TIR

Forkardt guarantees accuracy within  $.0004"$  (.010mm) TIR for the collet system models A and D and  $.0008"$  (.020mm) TIR for style DL.

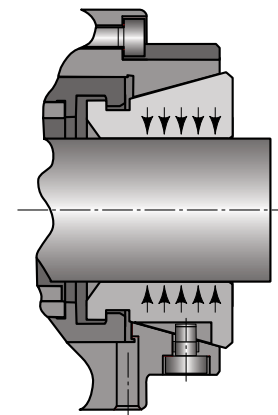
The OmniGrip system offers quick-change flexibility without compromise.

## Machine Compatibility and Flexibility

The precision-engineered Forkardt® OmniGrip Collet Systems mount to A2-5, A2-6, A2-8 and select flat-back spindle noses. Pull-back thru-hole, pull-back dead-length® and push-to-close dead-length® styles are available for single and dual-spindle CNC lathes.

One spindle mount... a multitude of part diameters. Purchase one spindle mount and interchange vulcanized collet heads from job to job. Forkardt collet heads are fully interchangeable with competitor's models.

Outperforms standard collet chucks and jaw chucks with faster job changeover.



## True Parallel Gripping

There is no collet shank. The collet segments remain parallel to the stock even when there are variations in the stock size minimizing "push back".



Style D is a pull-back design with a thru hole for bar work.

Since there is no work stop in this design, this style is not recommended for chucking parts.

Spindle mount, collet and wrench each sold separately. A drawbar linkup must be machined to fit the drawbar of the lathe. See page 7 to request a quote from Forkardt.



### 42mm\* Style D Spindle Mount: Pull-back style with thru-hole

Spindle Style	Part Number	D' - Diameter	D - Diameter	L' - Length	L - Length
A2-5	V42-5D00300	4.016" (102)	5.512" (140)	.846" (21.5)	3.543" (90)
A2-6	V42-6D00400	4.016" (102)	6.496" (165)	.846" (21.5)	3.543" (90)
140mm	V42-140D01700	4.016" (102)	5.906" (150)	.846" (21.5)	3.543" (90)

\* Limited to machine capacity.

(millimeters in parentheses)



### 65mm\* Style D Spindle Mount: Pull-back style with thru-hole

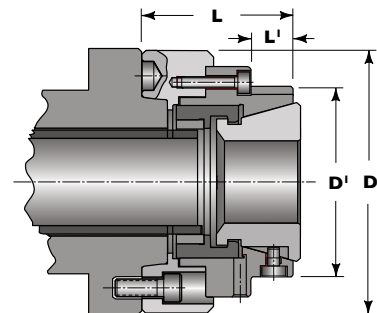
Spindle Style	Part Number	D' - Diameter	D - Diameter	L' - Length	L - Length
A2-5	V65-5D00500	4.736" (120.3)	6.102" (155)	1.043" (26.5)	3.740" (95)
A2-6	V65-6D00600	4.736" (120.3)	6.496" (165)	1.043" (26.5)	3.740" (95)
A2-8	V65-8D00700	4.736" (120.3)	8.268" (210)	1.043" (26.5)	3.858" (98)
140mm	V42-140D01700	4.016" (102)	5.906" (150)	.846" (21.5)	3.543" (90)

\* Limited to machine capacity.

(millimeters in parentheses)

## Manufacturing process control for Forkardt OmniGrip Systems — Made in the U.S.A.

Forkardt spindle mounts are turned on a high-precision turning center while the ODs and IDs are finish-ground on a high-precision grinding machine. A time-proven heat treat process guarantees hardness and tempering for a long life without breakage.





## Style A is a pull-back design with a Dead-length® workstop.

The collet draws in the part against a stationary workstop for part length control. You can easily "short grip" parts by machining a special work stop to the desired length. The Forkardt work stop is removable for bar work.



Spindle mount, collet and wrench each sold separately. Drawbar linkup must be machined to fit the drawbar of the lathe. See page 7 to request a quote from Forkardt.



### 42mm\* Style A Spindle Mount: Pull-back style with removable dead-length work stop

Spindle Style	Part Number	D <sup>1</sup> - Diameter	D - Diameter	L <sup>1</sup> - Length	L - Length
A2-5	V42-5A01000	4.016" (102)	5.512" (140)	.610" (15.5)	4.764" (121)
A2-6	V42-6A01100	4.016" (102)	6.496" (165)	.610" (15.5)	4.764" (121)
140mm	V42-140A01600	4.016" (102)	5.906" (150)	.610" (15.5)	4.961" (126)

\* Limited to machine capacity.

(millimeters in parentheses)



### 65mm\* Style A Spindle Mount: Pull-back style with removable dead-length work stop

Spindle Style	Part Number	D <sup>1</sup> - Diameter	D - Diameter	L <sup>1</sup> - Length	L - Length
A2-5	V65-5A01200	4.736" (120.3)	6.102" (155)	.728" (18.5)	5.118" (130)
A2-6	V65-6A01300	4.736" (120.3)	6.496" (165)	.728" (18.5)	5.118" (130)
A2-8	V65-8A01400	4.736" (120.3)	8.268" (210)	.728" (18.5)	5.315" (135)
140mm	V65-140A02300	4.736" (120.3)	6.299" (160)	.728" (18.5)	5.248" (133)
170mm	V65-170A01800	4.736" (120.3)	6.299" (160)	.728" (18.5)	5.118" (130)

\* Limited to machine capacity.

(millimeters in parentheses)



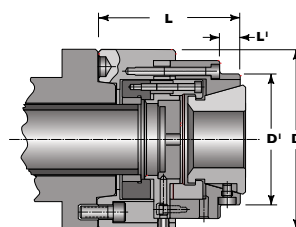
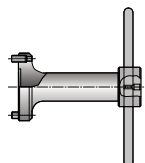
### 80mm\* Style A Spindle Mount: Pull-back style with removable dead-length work stop

Spindle Style	Part Number	D <sup>1</sup> - Diameter	D - Diameter	L <sup>1</sup> - Length	L - Length
A2-6	V80-6A06400	5.750" (146.1)	7.700" (195.6)	2.000" (50.8)	5.174" (131.4)
A2-8	V80-8A06500	5.750" (146.1)	8.000" (203.2)	2.000" (50.8)	5.174" (131.4)

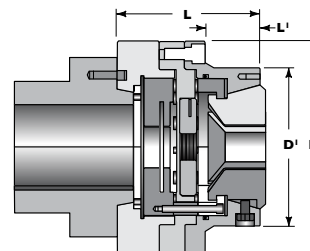
\* Limited to machine capacity.

(millimeters in parentheses)

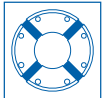
Work stop wrench  
V65-6DL05810  
(65mm) is included  
with the 80mm spindle  
mount assembly to  
remove or install the  
work stop.



42 and 65mm systems



80mm systems



## Style DL is a push-to-close Dead-length® style with workstop.\*\*

The collet and work stop are both stationary in the style DL Dead-Length spindle mount design to provide precise length control of the workpiece. This feature makes it possible to accurately transfer parts from one spindle to the other within .0005" (.0127mm), eliminating problems such as drive default or drag marks on the part. \*\*Workstop is NOT available for the 80mm spindle mount.



Spindle mount, collet and wrench each sold separately. Drawbar linkup must be machined to fit the drawbar of the lathe. See page 7 to request a quote from Forkardt.



### 42mm\* Style DL Spindle Mount: Push-to-Close with work stop

Spindle Style	Part Number	D' - Dia.	D - Dia.	L' - Length	L - Length
A2-5 (1)	V42-5DL05400	—	5.315" (135)	—	4.724" (120)
A2-6 (2)	V42-6DL05500	5.315" (135)	6.299" (160)	2.953" (75)	4.724" (120)
140mm (2)	V42-140DL04400	5.315" (135)	5.906" (150)	3.944" (100)	4.724" (120)

\* Limited to machine capacity.

(millimeters in parentheses)

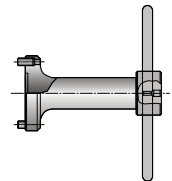


### 65mm\* Style DL Spindle Mount: Push-to-Close with work stop

Spindle Style	Part Number	D' - Dia.	D - Dia.	L' - Length	L - Length
A2-5 (1)	V65-5DL05700	—	6.299" (160)	—	4.921" (125)
A2-6 (1)	V65-6DL05900	—	6.299" (160)	—	4.724" (120)
A2-8 (2)	V65-8DL06000	6.299" (160)	8.268" (210)	2.402" (61)	4.921" (125)
140mm (1)	V65-140DL02400	—	6.299" (160)	—	5.157" (131)

\* Limited to machine capacity. (millimeters in parentheses)

Work stop wrench V65-6DL05810 (65mm) or V42-5DL05410 (42mm) is included with the spindle mount assembly to remove or install the work stop.

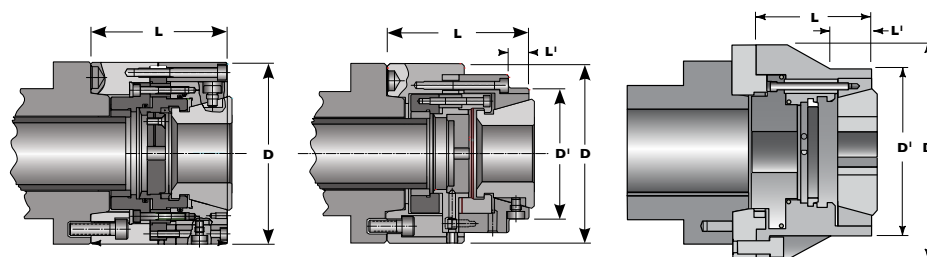


### 80mm\* Style DL Spindle Mount: Push-to-Close

Spindle	Part Number	D' - Dia.	D - Dia.	L' - Length	L - Length
A2-6	V80-6DL06200	5.950" (151.2)	7.700" (195.6)	1.354" (34.4)	4.957" (125.9)
A2-8	V80-8DL06300	5.950" (151.2)	8.250" (209.6)	1.354" (34.4)	5.207" (132.3)

\* Limited to machine capacity. Workstop not included.

(millimeters in parentheses)



Spindle Style 1

Spindle Style 2

80mm systems



- Round smooth
- Round serrated
- Hexagon serrated
- Square smooth
- Emergency style
- Masters
- Industry Compatible



## Manufacturing process control in a dedicated work cell environment

Forkardt is utilizing the latest vulcanizing machines made by DESMA, a world leader in injection molding technology. The vulcanization process joins the collet segments together as a one-piece unit with a permanent bond. Vulcanized rubber has elasticity for repeated opening and closing over the life of the collet that makes it ideal for a quick-change product. It will not become brittle and is resistant to coolant. It also prevents chips from entering the collet system. Forkardt test results from repeated cycles of collet actuation assure long life of the vulcanization process.

Forkardt guarantees a collet head concentricity of .0002" (.005mm) TIR for round smooth after the segments are joined in the vulcanization process. Collets change in just seconds!

OmniGrip Collets	Round Smooth	Round Serrated	Hexagon Serrated	Square Smooth	Manual Wrench
42mm Inch Part Numbers 1/16" increments *	C0-4200-19 7/32 to 15/8"	C0-4200-59 7/32 to 15/8"	C0-4200-69 5/16 to 13/8"	C0-4200-39 5/16 to 13/64"	C 4200000-WREN —
42mm Metric Part Numbers 1mm increments *	C0-4200-17 5 to 42	C0-4200-57 5 to 42	C0-4200-67 8 to 36	C0-4200-37 8 to 29	C 4200000-WREN —
65mm Inch Part Numbers 1/16" increments*	C0-6500-19 1/4 to 29/16"	C0-6500-59 1/4 to 29/16"	C0-6500-69 5/16 to 21/8"	C0-6500-39 5/16 to 13/16"	C 65000-00-WREN —
65mm Metric Part Numbers 1mm increments *	C0-6500-17 5 to 65	C0-6500-57 5 to 65	C0-6500-67 8 to 56	C0-6500-37 8 to 46	C 65000-00-WREN —
80mm Inch Part Numbers 1/16" increments*	C0-8000-19 15/32 to 31/4"	C0-8000-59 3/4 to 31/4"	C0-8000-69 15/32 to 23/4"	C0-8000-39 15/32 to 21/4"	C 80000-00-WREN —
80mm Metric Part Numbers 1mm increments *	C0-8000-17 12 to 82.5	C0-8000-57 19 to 82.5	C0-8000-67 12 to 69.9	C0-8000-37 12 to 57.2	C 80000-00-WREN —

\* limited to maximum bar capacity of your machine for thru-hole bar work.

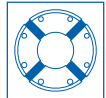
OmniGrip Style-S Master Collets	S16	S20	S22	S26	S30
65mm	C0650S16MASTER	C0650S20MASTER	C0650S22MASTER	—	—
80mm	—	—	—	C0800S26MASTER	C0800S30MASTER



Emergency Collets Size / Pilot Hole	Emergency Collet Part Number	Manual Wrench Part Number	Boring Ring Part Number
42mm / 5mm Pilot	C0420000000005	C 4200000-WREN	C042000000RING
42mm / 15mm Pilot	C0420000000015	C 4200000-WREN	C042000000RING
42mm / 30mm Pilot	C0420000000030	C 4200000-WREN	C042000000RING
65mm / 8mm Pilot	C0650000000008	C 6500000-WREN	C065000000RING
65mm / 20mm Pilot	C0650000000020	C 6500000-WREN	C065000000RING
65mm / 40mm Pilot	C0650000000040	C 6500000-WREN	C065000000RING
80mm / 12mm Pilot	C0800000000012	C 8000000-WREN	C080000000RING
80mm / 25mm Pilot	C0800000000025	C 8000000-WREN	C080000000RING
80mm / 40mm Pilot	C0800000000040	C 8000000-WREN	C080000000RING

## Custom Manufacturing

Standard collets are stocked in round smooth, round serrated and hex shape. Square sizes are made to order. Anything between the size increments shown below can be custom manufactured. Other special applications include stepped holes, special shapes, off-center, etc. that can be made from stock blanks.

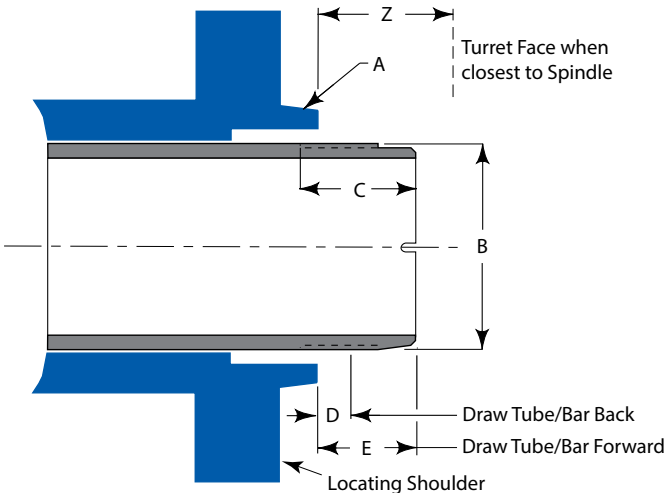


## Request for Machine Spindle and Drawbar Information

Drawbar Linkups are required for mounting Forkardt OmniGrip Collet Systems to CNC lathes. Fill in the requested information and dimensions corresponding to the illustration if you would like Forkardt to machine the drawbar linkup for your specific application. You may contact Forkardt for a preliminary quote prior to filling out this form at 800.544.3823.

Company \_\_\_\_\_  
 Contact Name \_\_\_\_\_  
 Address \_\_\_\_\_  
 City, State, Zip \_\_\_\_\_  
 Phone \_\_\_\_\_ Fax \_\_\_\_\_

Machine Manufacturer \_\_\_\_\_ Machine Model \_\_\_\_\_  
 Actuator Manufacturer \_\_\_\_\_  
 OmniGrip System Part Number \_\_\_\_\_



A Spindle Configuration  A2-5  A2-6  A2-8  
 or other \_\_\_\_\_  
 B Draw Tube / Bar Thread  
 Left-hand or  Right-hand  
 Internal or  External Thread  
 C Length of Thread \_\_\_\_\_  
 D/E Distance from Front of Spindle to Front of Draw Tube /  
 Bar when Forward and Retracted.  
 (Indicate positive {+} if the draw tube / bar is in front of the spindle face, or  
 negative {-} if behind the spindle face)  
 D Retracted (back) \_\_\_\_\_  
 E Forward \_\_\_\_\_  
 Z Turret Face when closest to Spindle \_\_\_\_\_

**Email this form to sales@Forkardt.us or fax to Forkardt Customer Service at 231.995.8361**  
 www.forkardt.us phone: 800.544.3823



Forkardt North America  
2155 Traversefield Dr.  
Traverse City, MI 49686  
Office: 800-544-3823  
Fax: 231-995-8361  
Email: sales@forkardt.us



Forkardt Deutschland GMBH  
Heinrich-Hertz-Str. 7  
D-40699 Erkrath  
Office: 49-211-25 06-0  
Fax: 49-211-25 06-211  
Email: info@forkardt.com



Forkardt China  
1F, Bldg 2#, 458 Fute Rd. (n.),  
Shanghai Waigaoqiao F.T.Z. 200131 PRC  
Office: 86-021-58682809-110  
Fax: 86-150003027888  
Email: kdong@forkardt.us



Forkardt France S.A.R.L.  
28 Avenue de Bobigny  
F-93135 Noisy le Sec Cedex  
Office: 33-1-4183 12 40  
Fax: 33-1-4840 47 59  
Email: forkardt.france@forkardt.com